



32,00 m

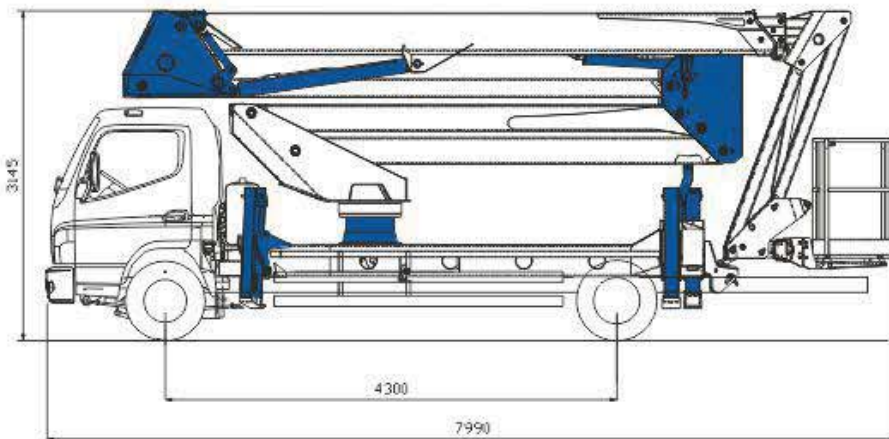
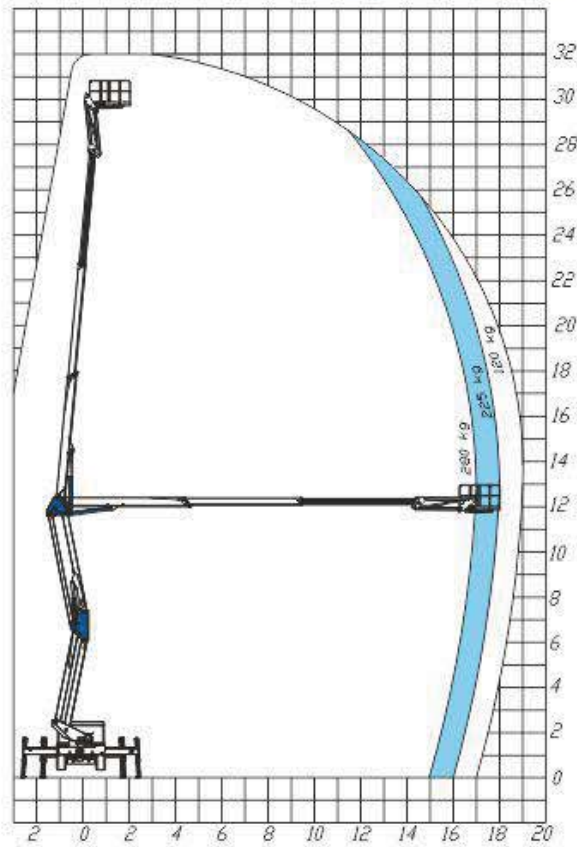
30,00 m

19,00 m

180x70x110

280 kg

700°



forSte
32DJ



aluminium

90°+90°

electro
hydraulic

HE+HE

7,5 T